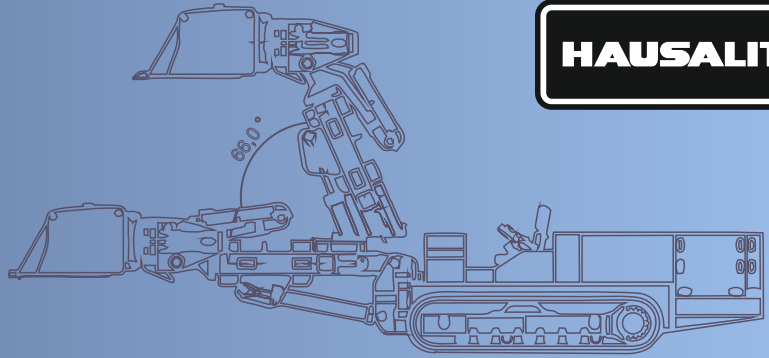


HAUSALIT

HS-M



the MULTITALENT dinting-& loading machine

1 Machine - 5 Uses

quick-coupler-system



basicmachine with telescopic boom and patented quick-coupler-system with integrated automatic coupling of hydraulic hoses



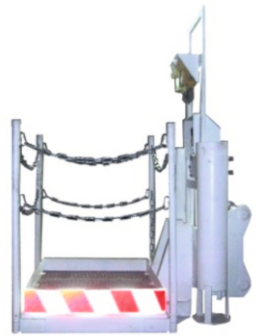
hydraulic pick



traverse-cutting-head



ripping bucket 450 l



working platform



activated dinting bucket with rigid boom

← WITHOUT quick-coupler-system →

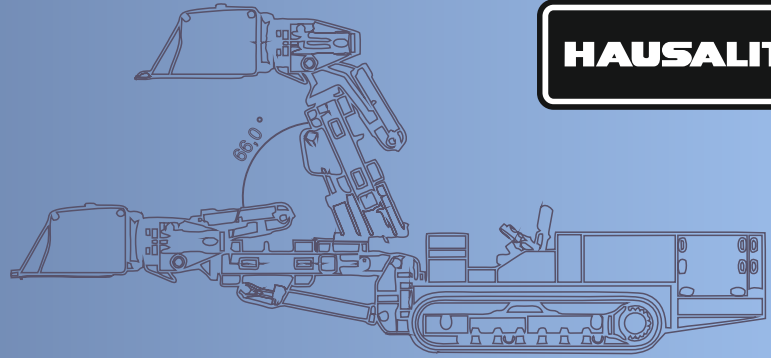


side-dump-bucket with bent boom



HAUSALIT GmbH Mining - Hydraulik - Maschinenbau
Justus-von-Liebig-Straße 2 - D-66280 Sulzbach/Saar
Tel.: +49-(0)6897-5005-0 - Fax: +49-(0)6897-5005-55
e-mail: info@hausalit.com - http://www.hausalit.com

HS-M



MULTITALENT Dinting and loading machine

Basic machine

Technical description

The development and design of the HS-MULTITALENT base of the concept of only one basic machine, as carrier vehicle, on which is possible to install various booms and other attachments for several application areas in mining industry and tunneling.

The newest generation of our machine is the HS-MULTITALENT with telescopic boom and quick-coupler-system, with integrated fully automatic coupling of hydraulic hoses and represents therefore a further milestone in the development of efficient dinting technology. This quick-coupler-system makes it possible to change the diverse attachments in a few minutes because it is no longer necessary to change over the hoses.

The **basic machine** is a compact and durable construction of combinable modules with:

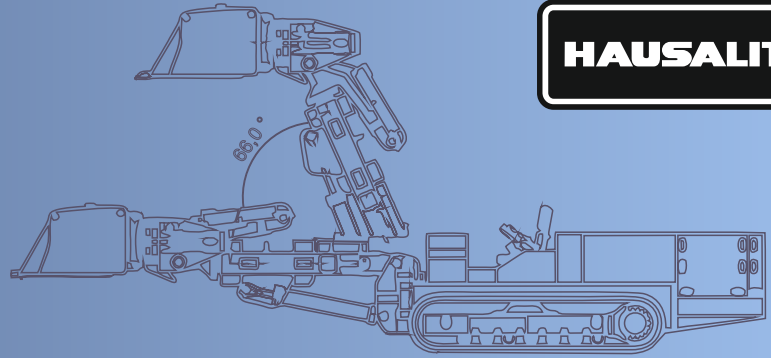
- ◆ ergonomically designed and clearly arranged control stand
- ◆ pivot column and swing cylinders for receiving the various booms
- ◆ unscrewable chassis.
- ◆ crawler chassis driven by variable displacement plug-in motors and compact gears
- ◆ Load-Sensing regulated hydraulic system
- ◆ joy stick controls with mining safety device
- ◆ fully hydraulic with electric or pneumatic primary drive

The pivot column and the swing cylinders makes possible to move the boom with 27° to the right and left. The various tools on the boom can be pivoted additionally around 30°.

The **machine fuselage** is durably built and is used to attach the following components:

- ◆ Crawler undercarriage
- ◆ Rear with the drive unit
- ◆ Cooling unit
- ◆ Additional tank
- ◆ Driver and control stand
- ◆ Pivot column

HS-M



MULTITALENT Dinting and loading machine

Basic machine



Technical Data- Basic Machine

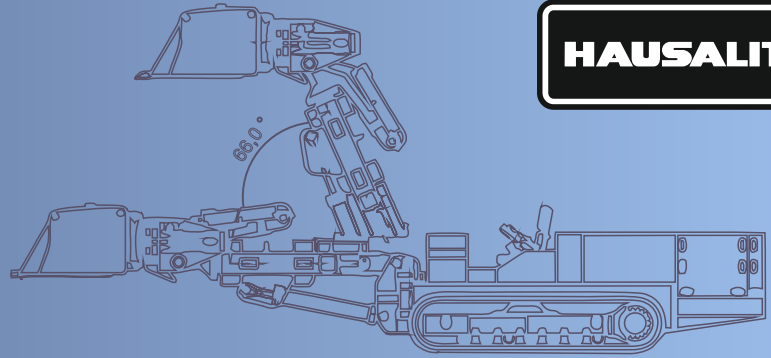
| | | |
|--------|----|-------|
| Length | mm | 3.920 |
| Width | mm | 1.160 |
| Height | mm | 1.210 |
| Weight | kg | 8.200 |

Load-Sensing servo controlled

| | | |
|--------------------------|----------|--------------------|
| Primary Drive (electric) | KW | 55 |
| Axial-Piston-Pump | l/min | 180 |
| Operating Pressure | bar | 180 |
| Oil-Water-Cooler | KW | 55-155 |
| Oil Tank | Liter | 250 |
| Filter | | |
| Main Filter | 400l/min | 25µ |
| Return Filter | 400l/min | 16µ |
| Fluid | Type | HFC-E, Mineral oil |

| | | |
|------------------|---|---------|
| Size | Type | B1 |
| Chain | Links | 39 |
| Pitch | mm | 140 |
| Width | mm | 260 |
| Ground clearance | mm | 200 |
| Travelling speed | m/sec | 0,5/1,0 |
| Drive | compact gearboxes with variable displacement plug-in motors | |

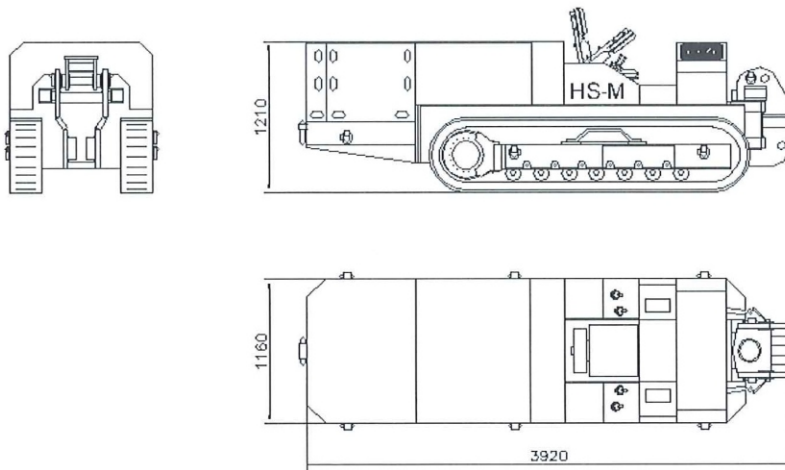
HS-M



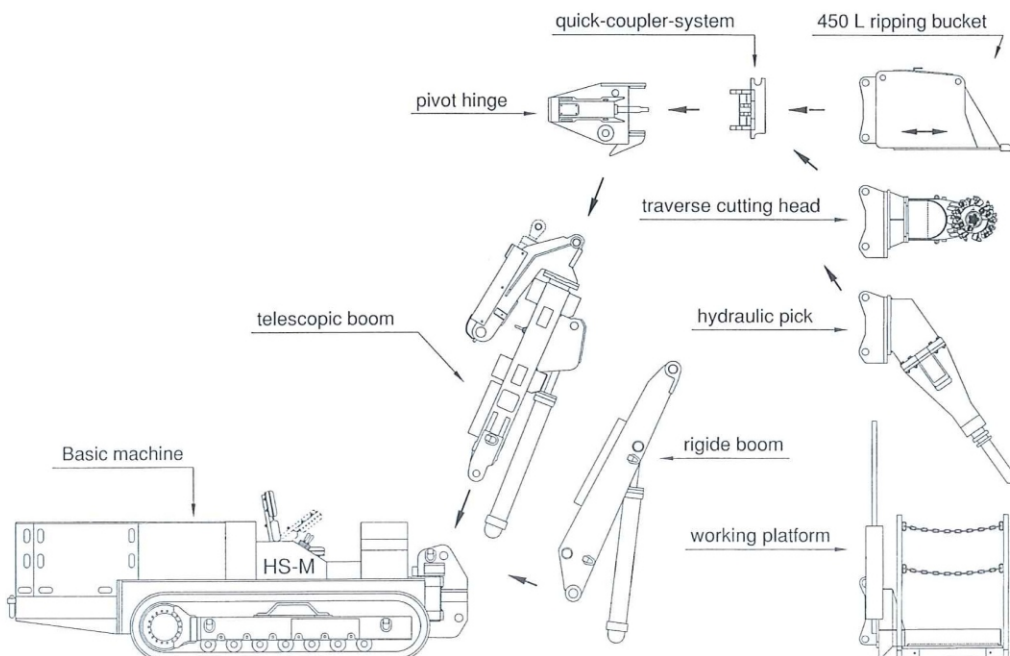
MULTITALENT Dinting and loading machine

Basic machine

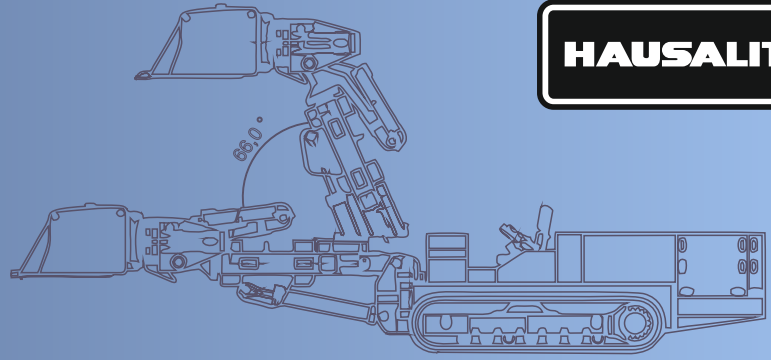
Dimensional drawing of the basic machine



Schema HS-M as dinting machine with possible components



HS-M

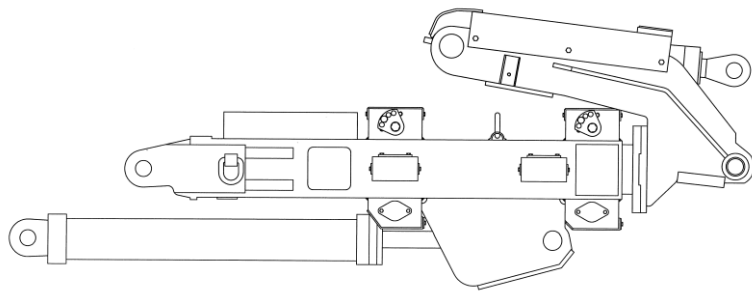


MULTITALENT Dinting and loading machine

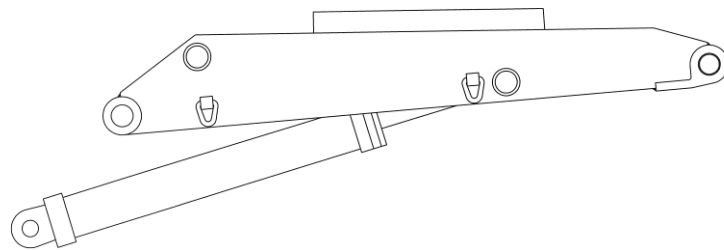
Various booms

The following booms can be mounted on the pivot column:

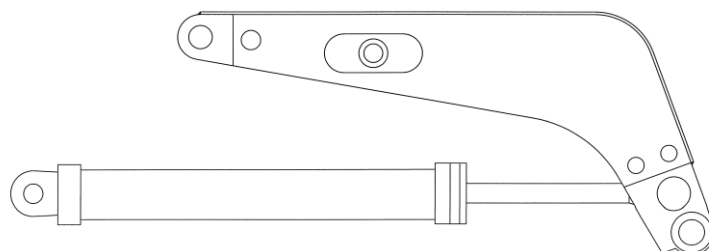
Teleskopic boom



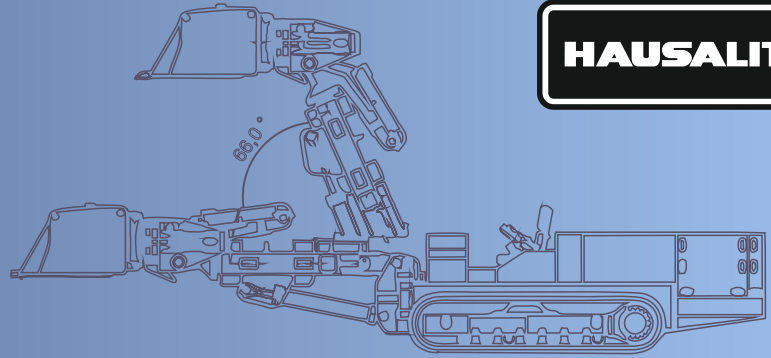
Rigide boom



Bent boom



HS-M

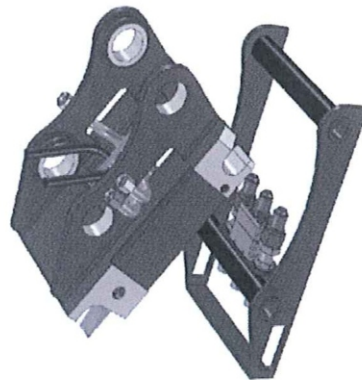


MULTITALENT Dinting and loading machine

Quick-coupler-System

**with integrated automatic coupling of hydraulic hoses
for tool-change in minutes
- adaptable on telescopic boom -**

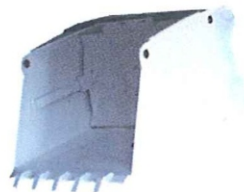
The newest generation of our machine is the HS-MULTITALENT with telescopic boom and quick-coupler-system, with integrated fully automatic coupling of hydraulic hoses and represents therefore a further milestone in the development of efficient dinting technology. This quick-coupler-system makes it possible to change the diverse attachments in a few minutes because it is no longer necessary to change over the hoses.



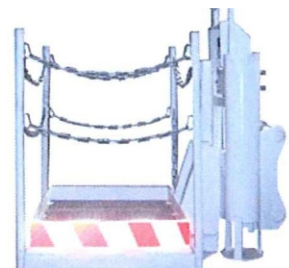
hydraulic pick



traverse-cutting-head

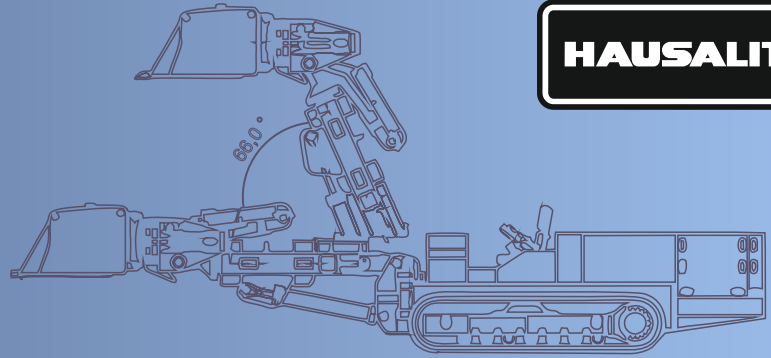


ripping bucket
450L/350L



working platform

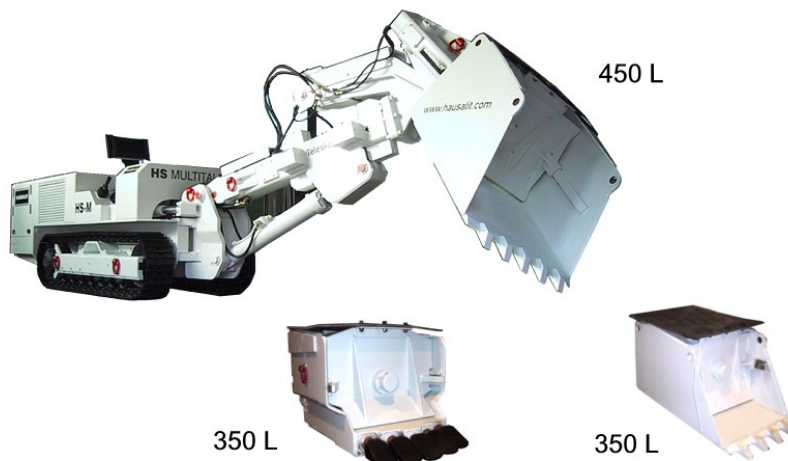
HS-M



MULTITALENT Dinting and loading machine

As dinting machine with

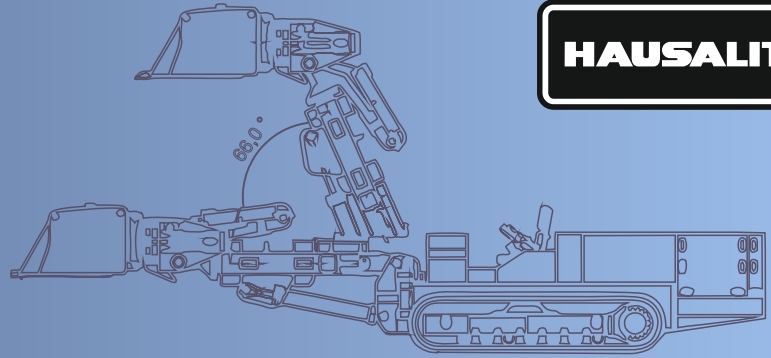
- Teleskopik or rigide boom
- Quick-coupler-system
- Ripping bucket 450 l/350 l or activated bucket 350 l*



| Technical Data HS-M as Dinting Machine | | | | | |
|--|-----|---|---------------|-------------|-------------|
| | | Teleskopik boom 500 mm piston stroke | | Rigide boom | |
| | | Bucket 450L | Bucket 350L | Bucket 450L | Bucket 350L |
| Overall length | mm | 7.500 (8.000) | 7.160 (7.590) | 7.430 | 7.090 |
| Total weight | kg | 10.120 kg | 10.055 kg | 9.680 kg | 9.615 kg |
| Slewing range | | | | | |
| Boom | | 27° | 27° | 27° | 27° |
| Bucket | | 30° | 30° | 30° | 30° |
| Dinting width from single position | mm | 3.370 (3.790) | 3.210 (3.670) | 3.300 | 3.150 |
| Unloading height | mm | 2.795 (3.245) | 2.755 (3.200) | 2.720 | 2.680 |
| max. bank | gon | 8 | 8 | 12 | 12 |
| max. Gradeability ± | gon | 25 | 25 | 25 | 25 |

* only adaptable on rigide boom without quick-coupler-system

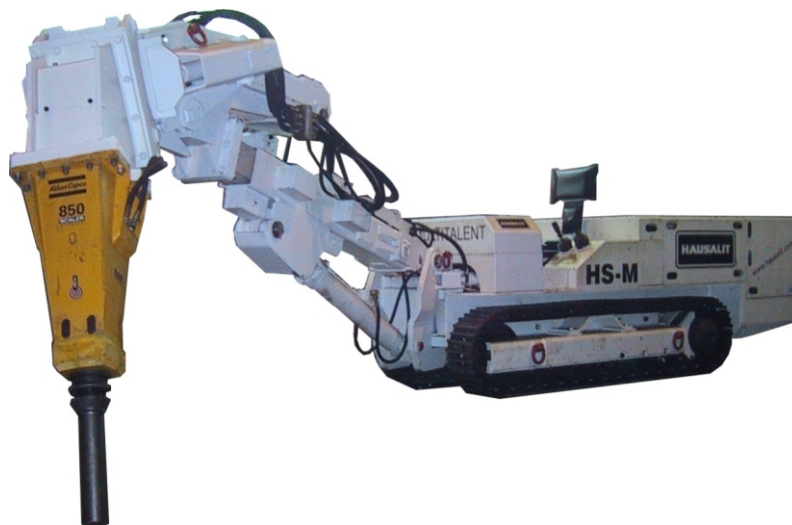
HS-M



MULTITALENT Dinting and loading machine

As ripping machine with

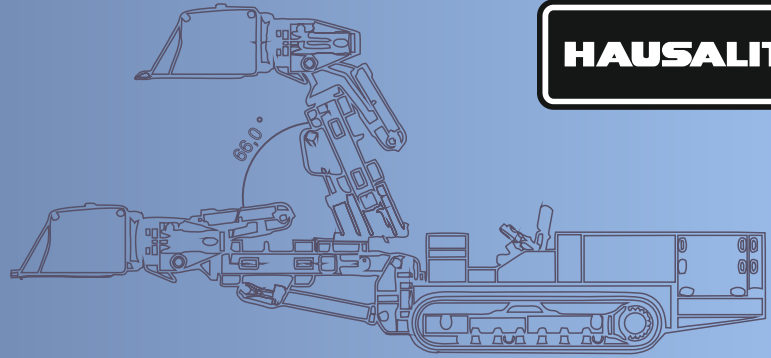
- Teleskopic or rigide boom
- Quick-coupler-system
- Hydraulik pick SB Scaler



Technical Data Hydraulic pick

| | | |
|------------------------------|-------|----------|
| Length excl. working tool | mm | 925 |
| Service weight incl. adapter | kg | ca. 580 |
| Impact rate | 1/min | 900-1010 |
| Operating pressure | bar | 100-110 |
| Oil flow rate | l/min | 50-100 |
| Working tool diameter | mm | 95 |

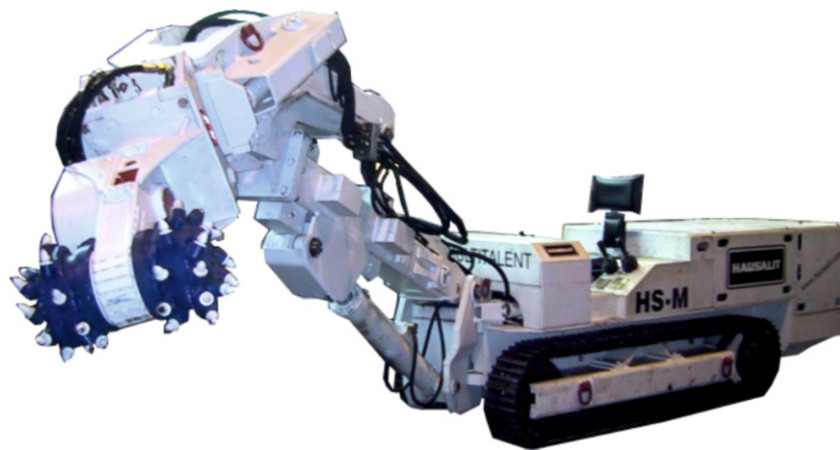
HS-M



MULTITALENT Dinting and loading machine

As cutting machine with

- Telescopic or rigide boom
- Quick-coupler-system
- Traverse cutting head series ER 250 or ER 600



Technical Data Traverse cutting head

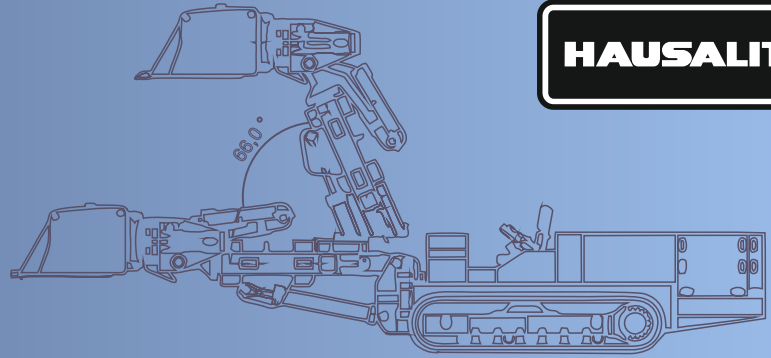
| Traverse cutting head | Series ER 250 | Series ER 600 |
|--|-----------------------|------------------------|
| cutting head diameter | 400 mm | 575 mm |
| cutting head width | 620 mm | 780 mm |
| oil-flow | 40 bis max. 100 l/min | 120 bis max. 170 l/min |
| oil pressure max. p. | 350 bar | 350 bar |
| max. resistance to compression of the rock | 40 Mpa | 50 Mpa |
| weight | 450 kg | 900 kg |

notes:

In practice larger rock hardnesses could be worked on by optimised arrangement and number of picks.

For series ER 600 the machine must be operated with electric motor ≥ 60 KW and axial-piston pump with oil-flow of 200 l/min.

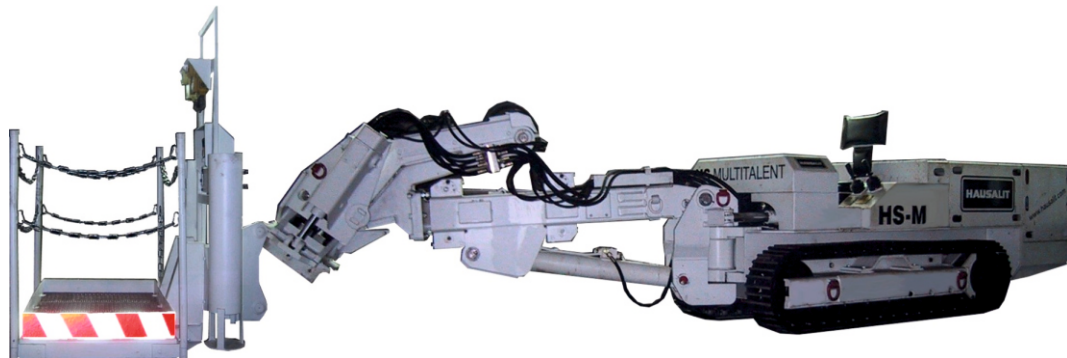
HS-M



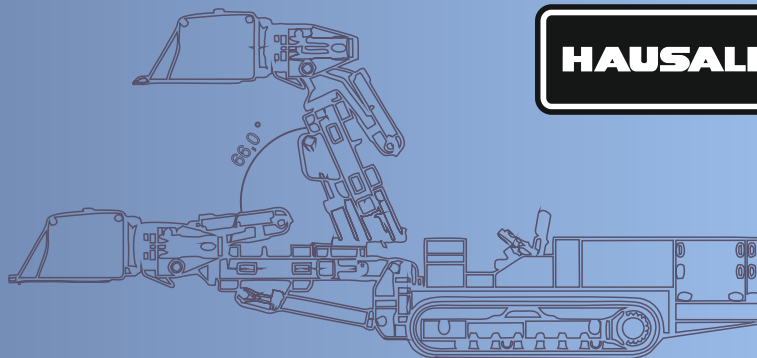
MULTITALENT Dinting and loading machine

**As platform machine
with**

- Teleskopic or rigide boom
- Quick-coupler-system
- Working platform HSB 500; HSB 2000 or HSB-HY 500






HS-M



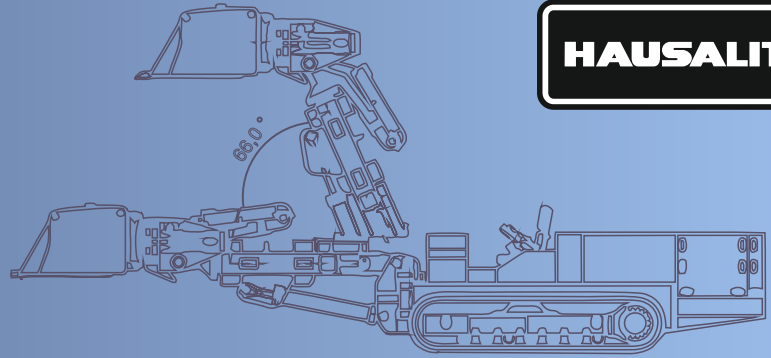
MULTITALENT Dinting and loading machine

As platform machine

Technical Data Working platforms

| Arbeitsbühne | HSB 500 | HSB 2000 | HSB-HY 500 |
|---------------|---|--|---|
| cage surface | 895 x 1.125 mm | 1.850 x 1.125 mm | 895 x 1.125 mm |
| max. capacity | 500 kg | 250 kg | 500 kg with hydraulic control |
| |  |  |  |

HS-M



MULTITALENT Dinting and loading machine

**As loading machine
with**

- Bent boom
- Side-dump-bucket 600 l

